

# Kaba Sliding Bolt Lock 1.2

Bespoke key systems, engineered to your specification

## Benefits:

- High security key registration
- Strong reversible milled key
- Unparalleled key control
- Extensive master keying capability
- Registered and protected by several patents
- Suitable for heavy duty applications
- High security cylinder mechanism

## Applications:

- Secure Metal Cabinets
- Data Servers
- Access Panels
- Secure Cupboards
- Personal Lockers
- Banking Furniture

## K2074 Series

- Two-point cabinet locks suitable for integration with Kaba master keyed systems
- Bolt movement 14mm.
- Available for left hand or right hand doors (as illustrated) or can be mounted horizontally

## Material/Finish:

- Cylinder brass dull nickel plated
- Lock case and bolts galvanised Steel.

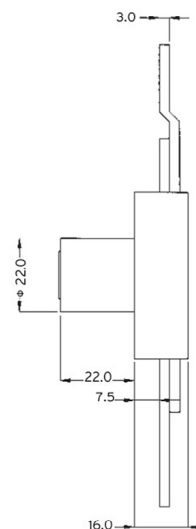
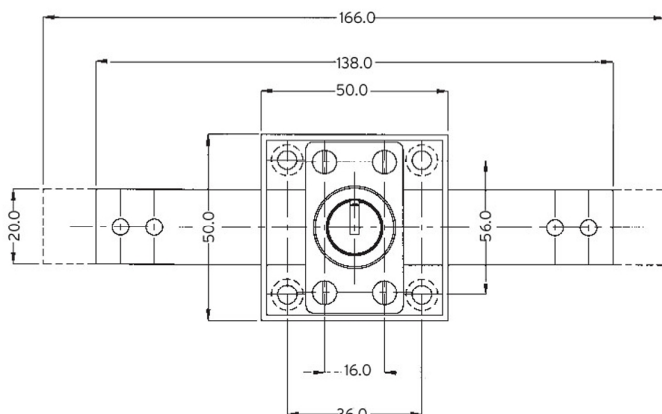
## Supplied with:

- Cylinders to differ supplied with 2 keys
- Key registration certificate
- Rosette number 1008A.25 optional

Cylinder extensions (mm):  
5, 10, 15, 20, 30, 40, 50mm

## How to Order:

K20740010 Left hand. Key movement anticlockwise to open  
K20740020 Right hand. Key movement clockwise to open  
K20740000 Upright. Key movement anticlockwise to open



## 1008A.25 Rosette

- The slightly oversized holes required to insert  $\varnothing 22$ mm cylinders in wood can be neatly covered by a rosette.
- Suitable for any  $\varnothing 22$ mm cylinder - push fit

## Finish:

- Dull nickel plated

## Also available:

- For  $\varnothing 25$ mm cylinders - 1037.19.102
- For  $\varnothing 23$ mm cylinders - 78.4.026

