

Plastic Weather Protection Caps

WF3020



Application:

For lock cylinders subject to weather. Protects the cylinder from the effects of weather and dust and helps to keep the cylinder in service longer. Easy installation with gasket and with four screws (not supplied). The WF3020 cap can be used with Euro profile cylinders, Swiss round cylinders and certain camlocks & keyswitches.

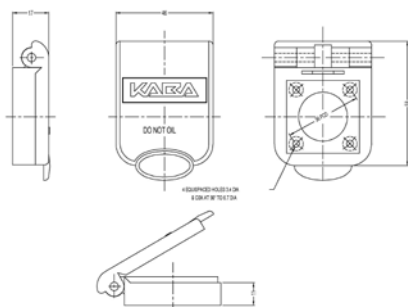
Specification:

Material: plastic, black

Bored for installation with four screws (screws not included)

Included with the cap:

Gasket and anti-rotation plate.



Order Code System		
Order Code	Profile / Cylinder types	Item number
WF3020200	Europrofile	
WF3020100	Swiss Round Profile	

Please note that certain options, finishes and dimensions may be subjected to extended factory lead times. Please contact our office via email on sales.uk@kaba.com or telephone (0) 870 000 5625.

¹⁾ Kaba gemini and Kaba quattro are only offered for existing master key systems.

²⁾ Kaba expert, Kaba maTriX and Kaba gemini T are only sold to authorized dealers.